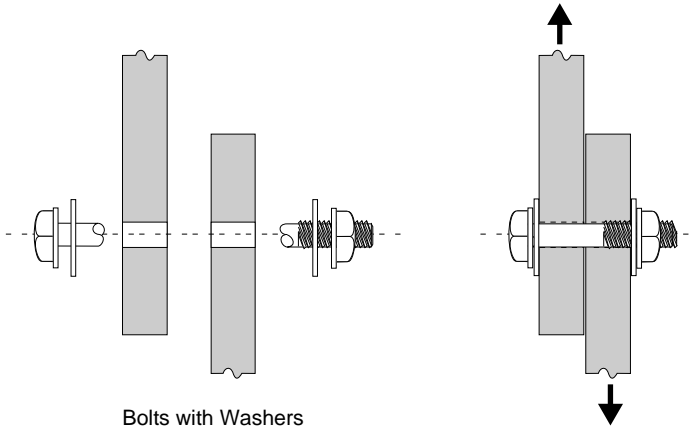
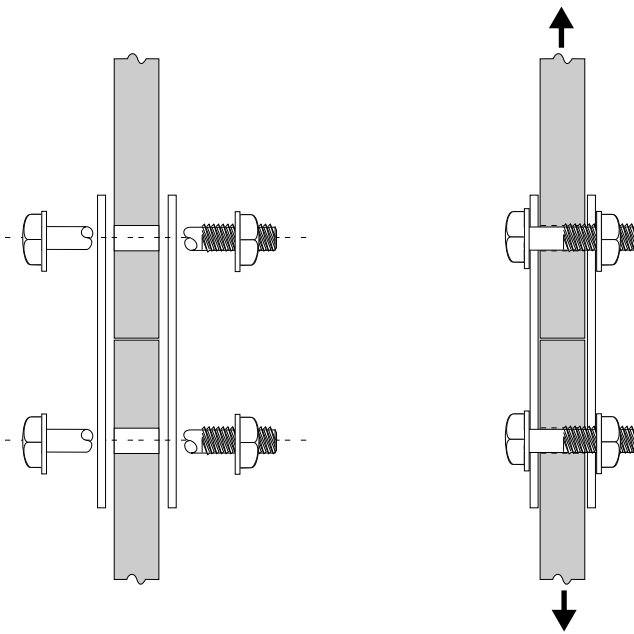


Figure 5.9
Loading Arrangements for Bolts



Bolts with Washers



Bolts with Side Plates