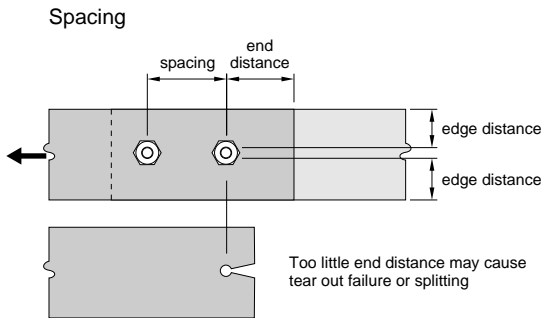
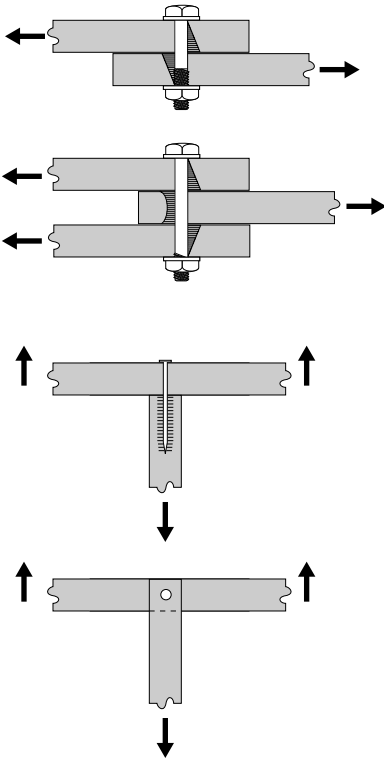


Figure 5.1  
**Terminology  
for Metal  
Fasteners**



**Types of Loads**



1. Fastener Loaded in Single Shear (laterally)

2. Fastener Loaded in Double Shear (laterally)

3. Fastener Loaded in Withdrawal

A nail loaded in withdrawal (axially) relies on friction resulting from compression of wood fibres during driving. The capacity of this joint would be higher if arranged so that the nail were loaded laterally, as shown below.