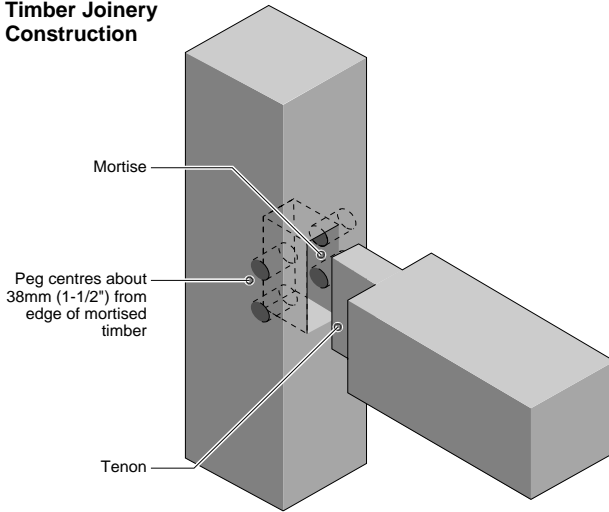
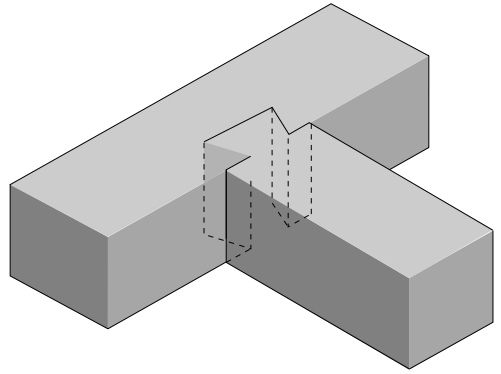


Figure 5.18
**Basic Joints for
Timber Joinery
Construction**

Basic Mortise and Tenon Joint

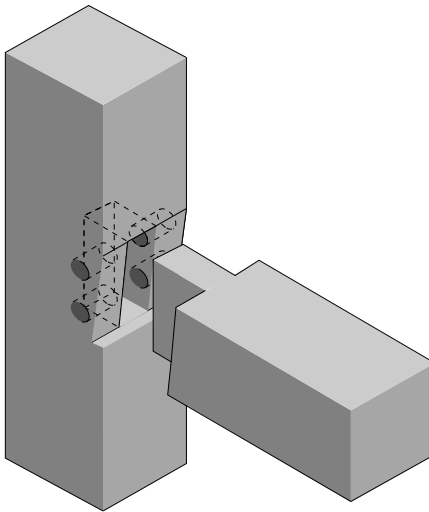


Dovetail Joint



Timber in tension must be bound with joint that can prevent withdrawal.

Bevelled Shoulder Joint



Housed Mortise and Tenon Joint

